

QP Series Twin

Unitary Piston Compressor

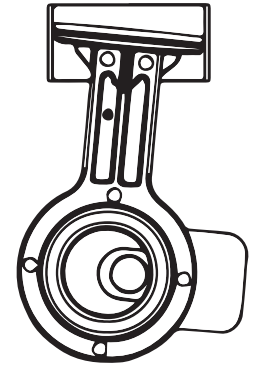
Standard –No Restart

TruNorth Compressors and Vacuum Pumps are completely oil-less and come with our relentless commitment to quality, performance and overall service to our customers. Our business mindset is to provide customers exactly what they require. Flexible component and product designs allow for a wide range of customization in flow and pressure performance, input power, port locations, accessories and more!



FEATURES

- Thin-walled, Hard Coated Anodized Cylinder
- Oil-less, Non-lube PTFE Piston Seal
- Permanently Lubricated Ball Bearings
- Proven “Unitary Piston” Technology
- UL Recognized Motor & Thermal Protector
- Balanced Eccentric/Connecting Rod Assembly
- Epoxy E-Coated Wetted Components
- Stainless Steel Valves, Retainers and Screws
- Twin Front Mounted 4-Blade Fan
- Die Cast Aluminum Components
- Inlet filter/ Exhaust Muffler
- High Efficiency Motor
- Fan Guards
- Power Cord/ Termination
- Contact Factory for More Options



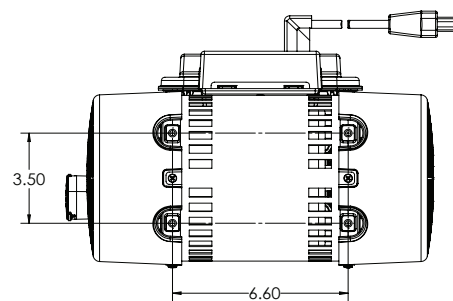
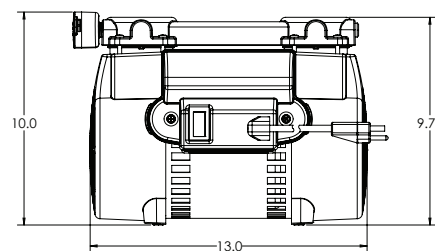
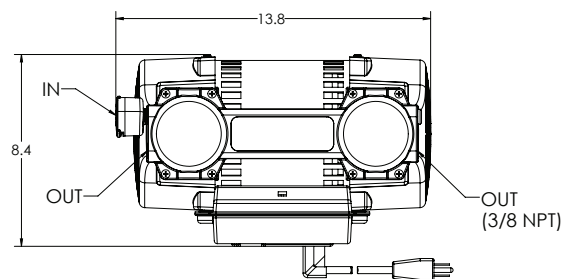
BENEFITS

- Long Service Free Life
- Low Vibration & Sound Level
- Corrosion Resistance
- Cool Operating Temperatures
- Electrically Safe
- Low Power Consumption
- Customization

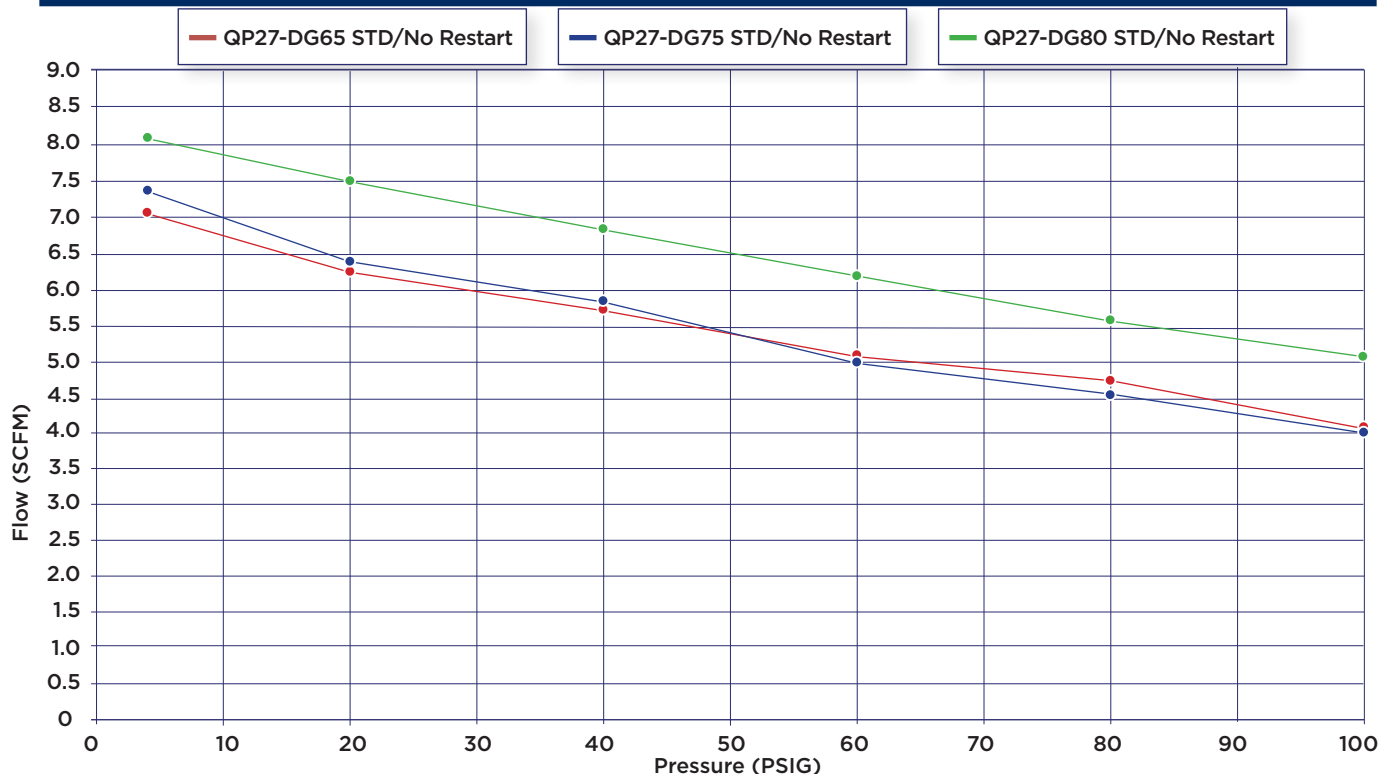
QP Series Performance Data

Model Number	QP27-DG65	QP27-DG75	QP27-DG80
Head Configuration	Pressure	Pressure	Pressure
Free Air Flow	6.9 SCFM	7.3 SCFM	8.1 SCFM
Max Continuous Pressure	100 PSIG	100 PSIG	100 PSIG
Max Intermittent Pressure	100 PSIG	100 PSIG	100 PSIG
Max Ambient Air Temp	104° F	104° F	104° F
Min Ambient Start Temp	50° F	50° F	50° F
Motor Voltage	115/208-230v	115/208-230v	115/208-230v
Frequency	50/60 Hz	50/60 Hz	50/60 Hz
Motor Type	PSC	PSC	PSC
Capacitor Value	60 µF	60 µF	60 µF
Current at Rated Load	15/7.5 Amps	15/7.5 Amps	15/7.5 Amps
Thermal Protector	YES	YES	YES
Net Weight	38 lbs.	38 lbs.	38 lbs.

* 3-Phase motor option available



Note: All of the compressors & pumps manufactured by TruNorth are very customizable for OEM applications. If you don't see the performance data you're looking for, please contact us at 855-449-7867.



The information presented in this material is based on technical data and test results of nominal units. It is believed to be accurate and reliable and is offered as an aid to help in the selection of TruNorth products. It is the responsibility of the user to determine if this product is suitable for the intended use. The user assumes all risk and liability whatsoever in connection therewith. TruNorth does not warrant, guarantee or assume any obligation in connection with this information.